

NOTE:
 UNLESS OTHERWISE SPECIFIED:
 a) RESISTANCE IS IN OHMS, $\pm 5\%$, 1/4 W.
 b) CAPACITANCE IS IN μF .

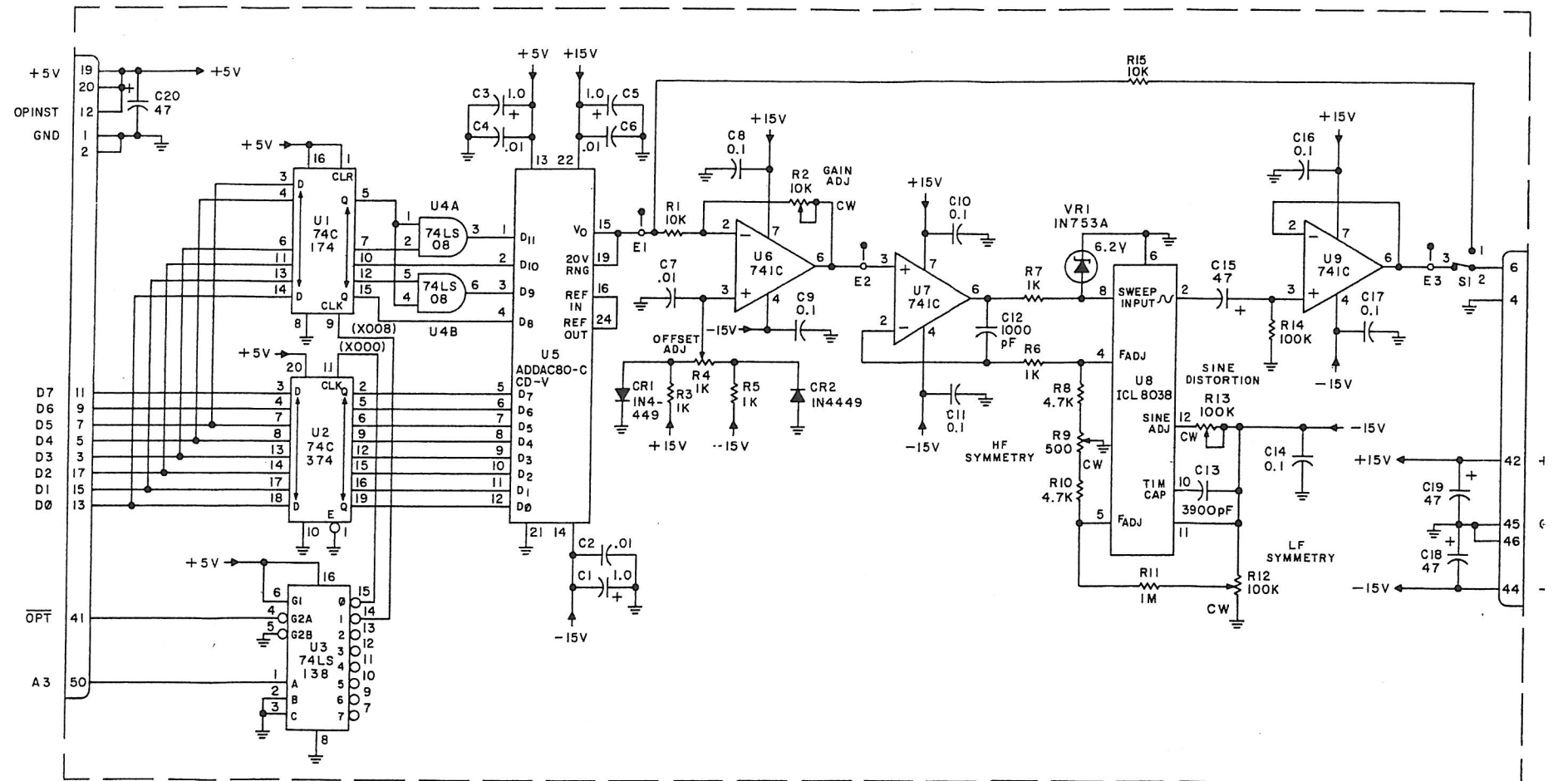


Figure E-2. Type 794150-1, Audio Scan Output Schematic Diagram 470251 (D)