

NOTES:  
 UNLESS OTHERWISE SPECIFIED:  
 a) RESISTANCE IS IN OHMS,  $\pm 5\%$ , 1/4W.  
 b) CAPACITANCE IS IN pF.  
 c) INDUCTANCE IS IN  $\mu$ H.

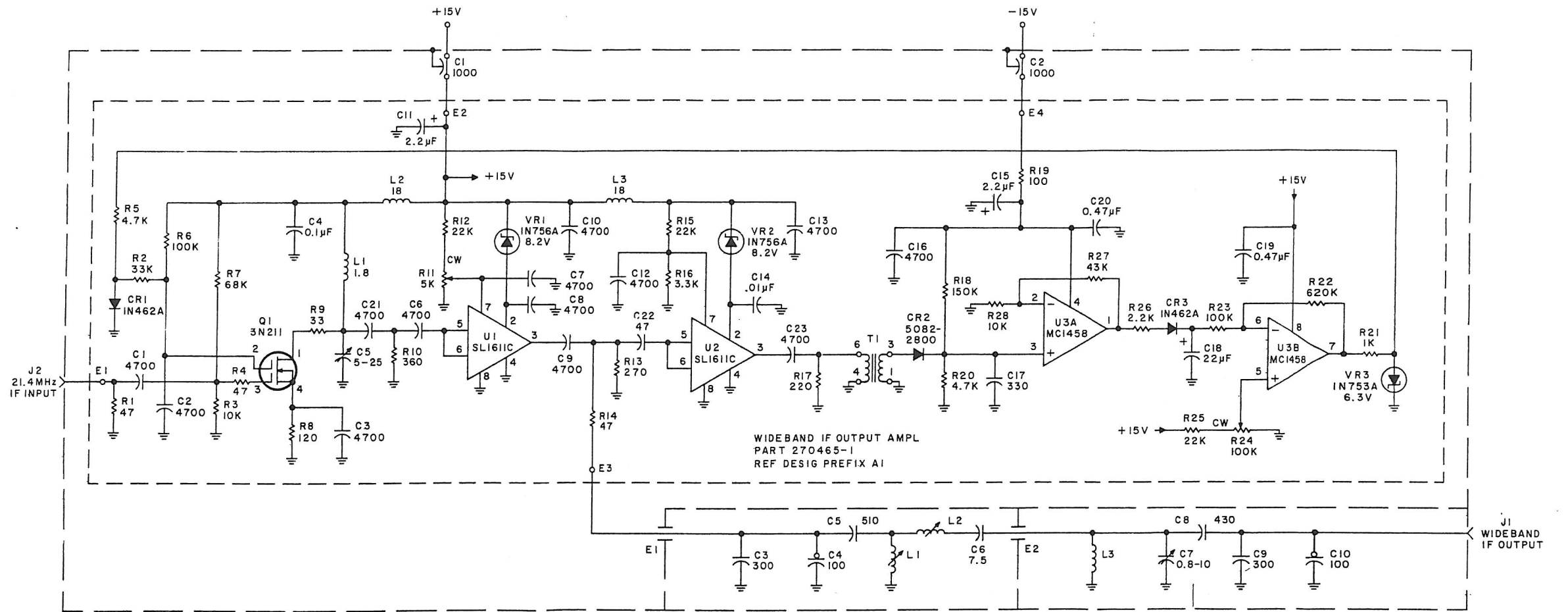
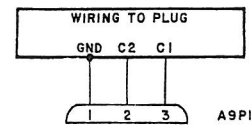


Figure F-4. Type 724013-1, Wideband IF Output Amplifier (A9), Schematic Diagram 470247 (D)