

NOTES:
 1. UNLESS OTHERWISE SPECIFIED:
 a) RESISTANCE IS IN OHMS, ±5%, 1/4W.
 b) CAPACITANCE IS IN μF.
 c) INDUCTANCE IS IN μH.
 2. C12 IS NOT USED.
 3. NOMINAL VALUE, FINAL VALUE FACTORY SELECTED.

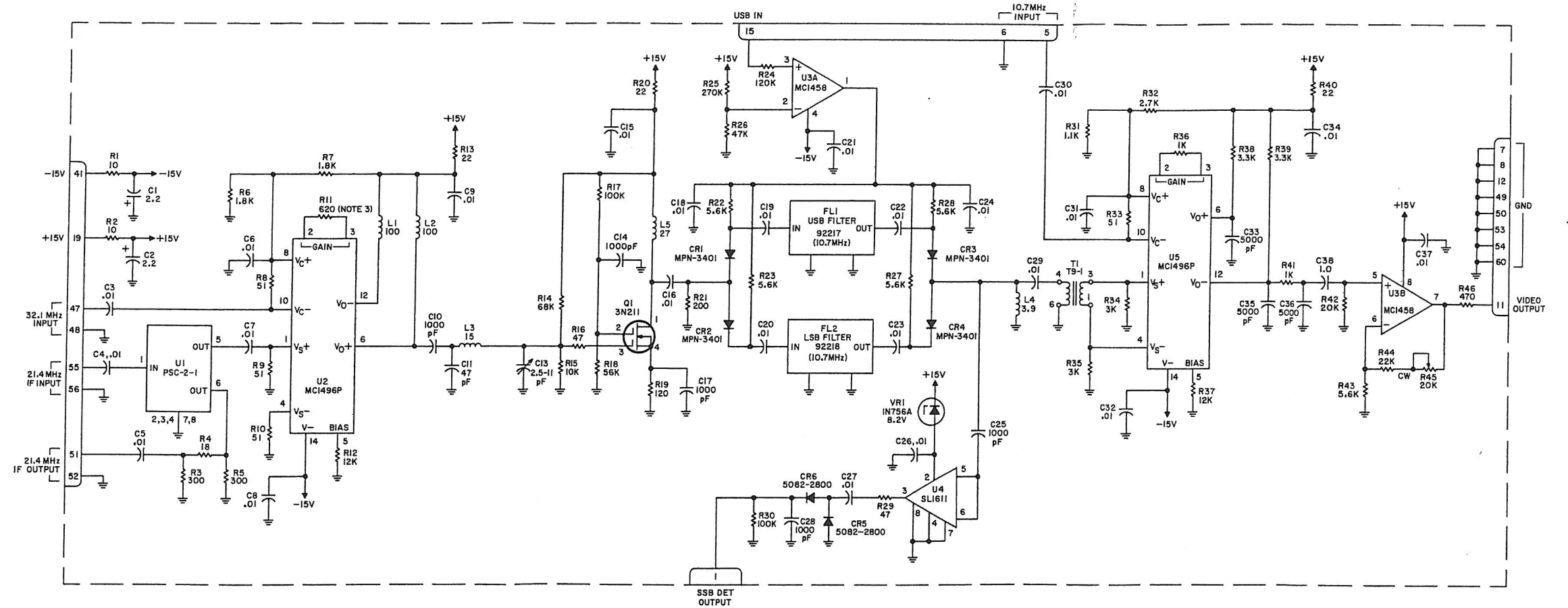


Figure G-2. Type 794188-1, SSB Demodulator (A3A14), Schematic Diagram 570169 (B)