

NOTES  
 1. UNLESS OTHERWISE SPECIFIED  
 a) RESISTANCE IS IN OHMS, ± 5%, 1/8W.  
 b) CAPACITANCE IS IN pF.  
 c) INDUCTANCE IS IN μH.  
 2. NOMINAL VALUE, FINAL VALUE FACTORY SELECTED.

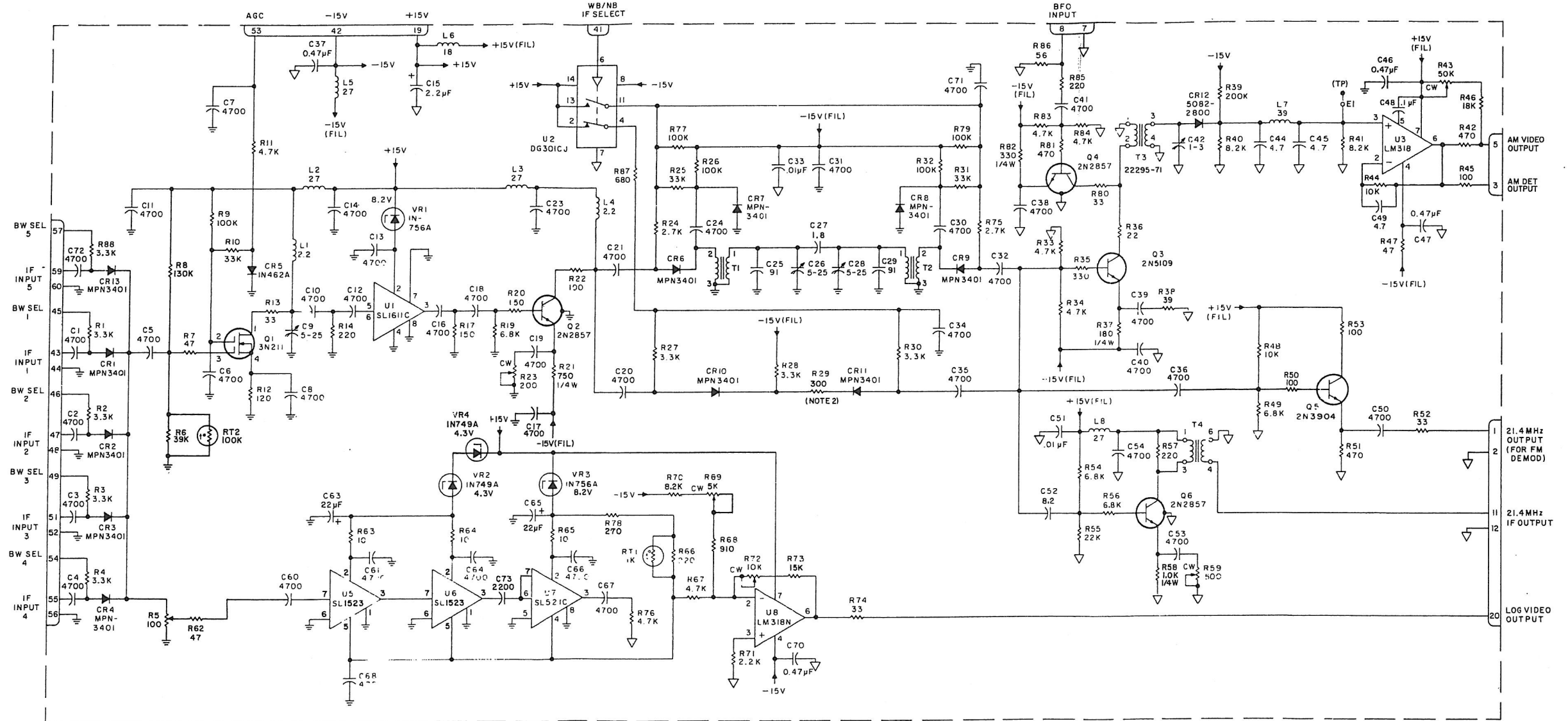


Figure I-2. Type 726004-1, AM Demod/IF Output Amplifier Schematic Diagram 580090 (D)

- NOTES:
1. DASHED LINES INDICATE PARTS OF EXISTING UNIT.
  2. INSTALL DECAL, PART NO. 180679 ON REAR PANEL ADJACENT TO "LOG-J1" CONNECTOR POSITION.

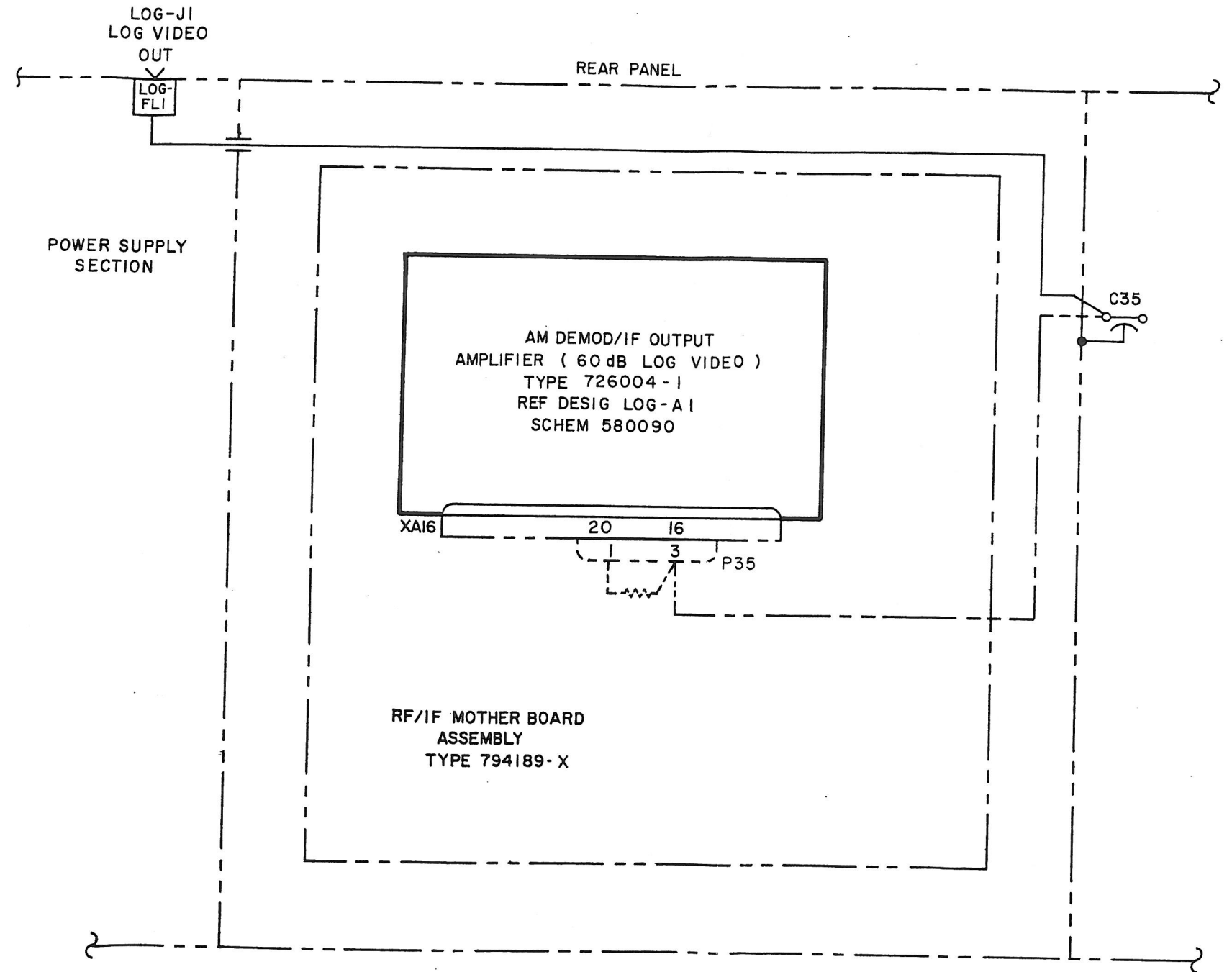


Figure I-3. Type WJ-861XB/Log Video (60dB)  
Schematic Diagram 380320 (C)