

- NOTES:  
 1. UNLESS OTHERWISE SPECIFIED:  
 a) RESISTANCE IS IN OHMS,  $\pm 5\%$ , 1/4W.  
 b) CAPACITANCE IS IN  $\mu F$ .  
 2. DIFFERENCE IN TYPE NO.'S IS SHOWN IN TABLE A.

TABLE A			
TYPE NO.	UI	FUNCTION	
796185-1	C6, C7, R3, R4, R5, R6 U10, U11, U12, U13 Y1 NOT USED	190169-38	EM
796185-2	AS SHOWN	190169-39	LOC/CUR/RTC
796185-3	AS SHOWN	190169-64	SPECIAL SEGMENT SCAN
796185-4	C6, C7, R3, R4, R5, R6 U10, U11, U12, U13 Y1 NOT USED	190169-70	LOC
796185-5	AS SHOWN	190169-108	CUR
796185-6	R1, R2, U2, U3, U4, U5, U9 NOT USED	NOT USED	RTC USED WITH MICROPROCESSOR 796353
796185-7	AS SHOWN	190169-134	LOC/RTC
796185-8	AS SHOWN	190169-135	EM/RTC
796185-9	AS SHOWN	190169-136	EM/CUR
796185-10	U2, U3, U4, U5 NOT USED	190169-137	CUR/RTC
796185-11	U2, U3, U4, U5 NOT USED	190169-125	RTC USED WITH MICROPROCESSOR 794109
796185-12	AS SHOWN	190169-138	LOC/CUR

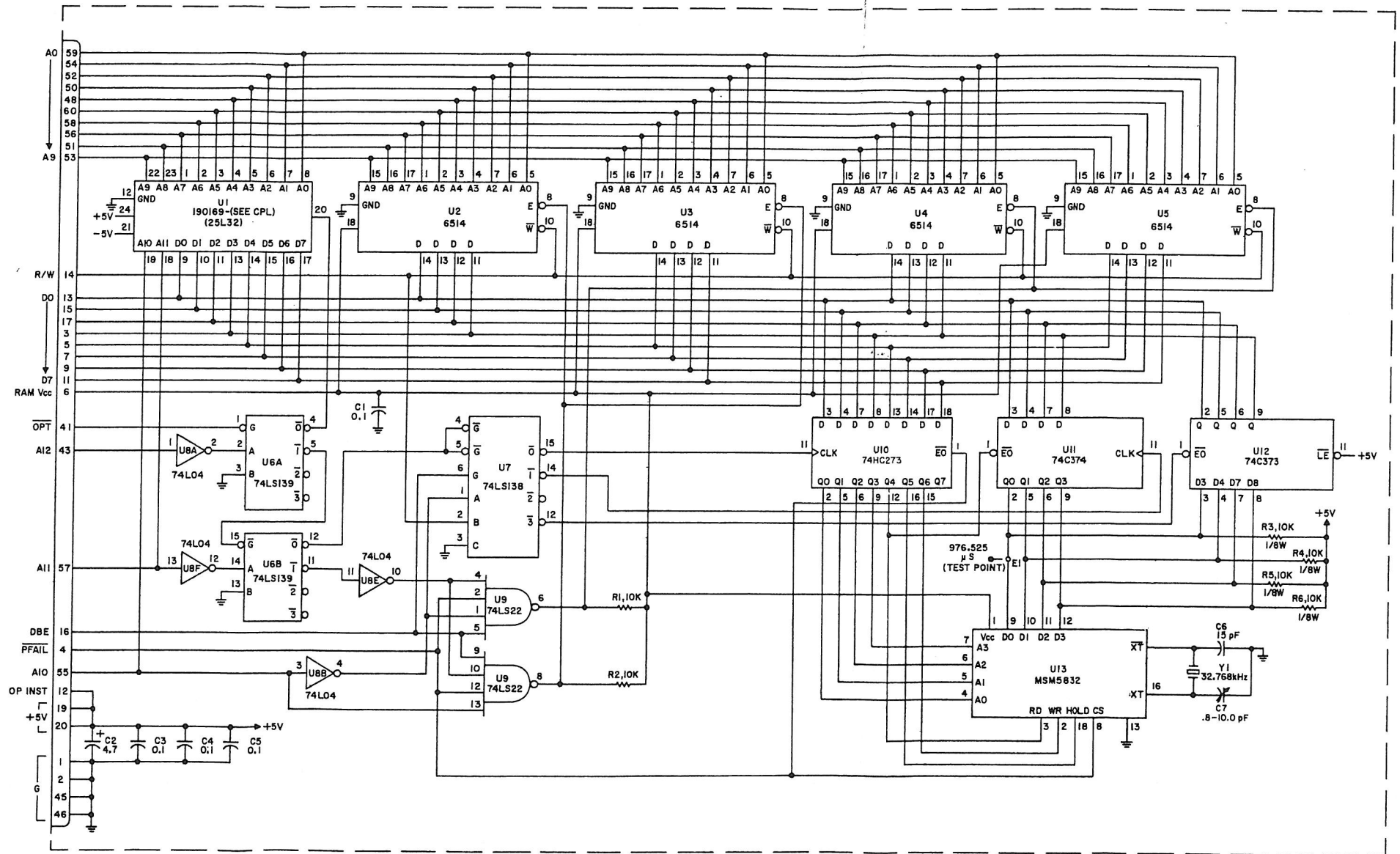


Figure M-2. Type 796185-X, Real Time Clock Schematic Diagram 580079 (C)