

NOTES:

1. PHANTOM LINES INDICATE PARTS OF EXISTING UNIT.
2. DIFFERENCE BETWEEN TYPE NUMBERS IS SHOWN IN TABLE A.

TABLE A

TYPE NO.	ISB-A1
861XB/ISB	796304-1
861XB/ISB-2	796304-2

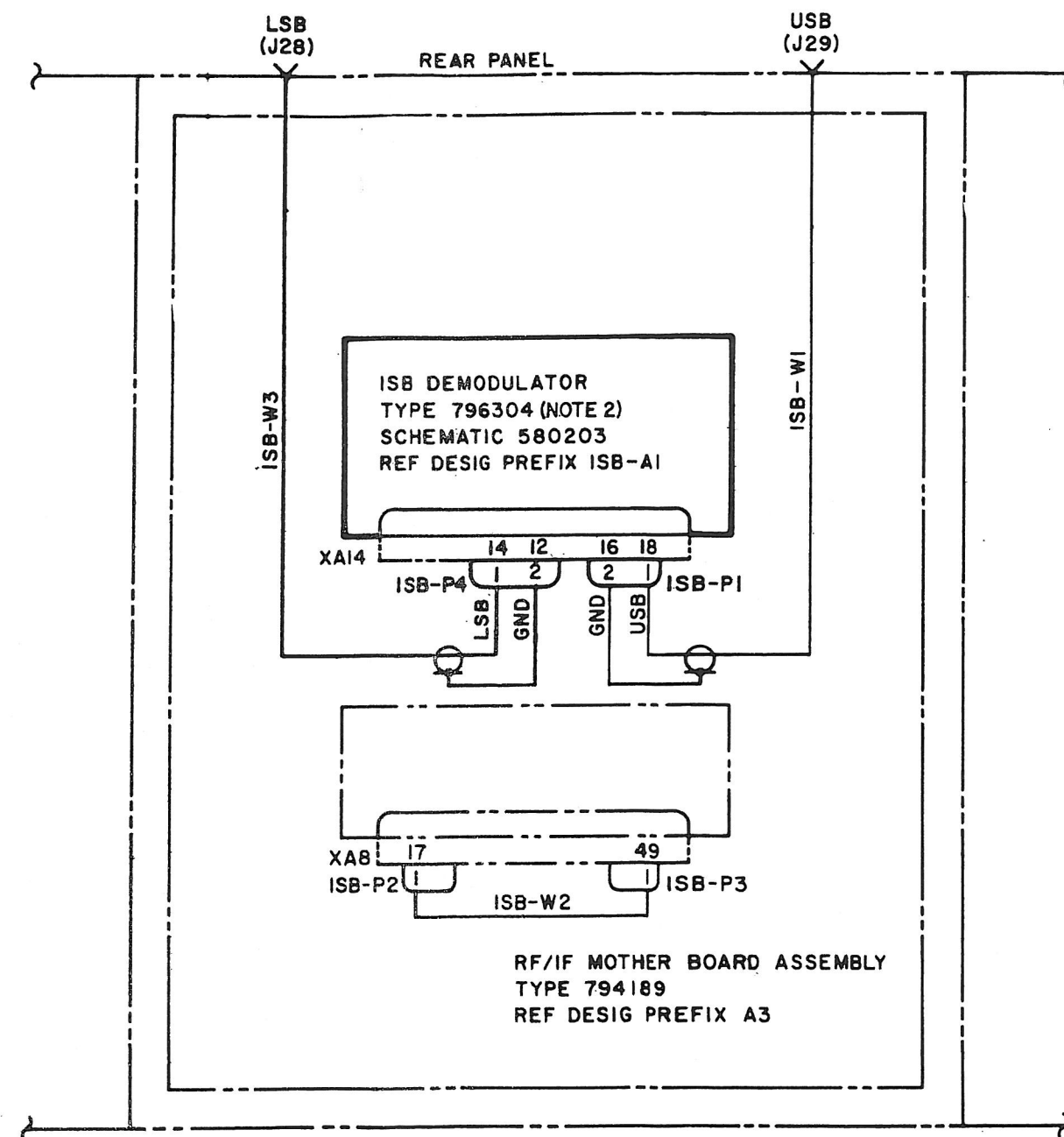


Figure P-2. Type 861X/ISB, Independent Sideband Option Schematic Diagram 80553 (B)

- NOTES:
 1. UNLESS OTHERWISE SPECIFIED:
 a) CAPACITANCE IS IN μ F.
 b) RESISTANCE IS IN OHMS, $\pm 5\%$, 1/8 W.
 c) INDUCTANCE IS IN μ H.
 2. DIFFERENCE BETWEEN TYPE NUMBERS IS SHOWN IN TABLE A.

TYPE NO.	FL1	FL2
796304-1	92218	92217
796304-2	92322	92321

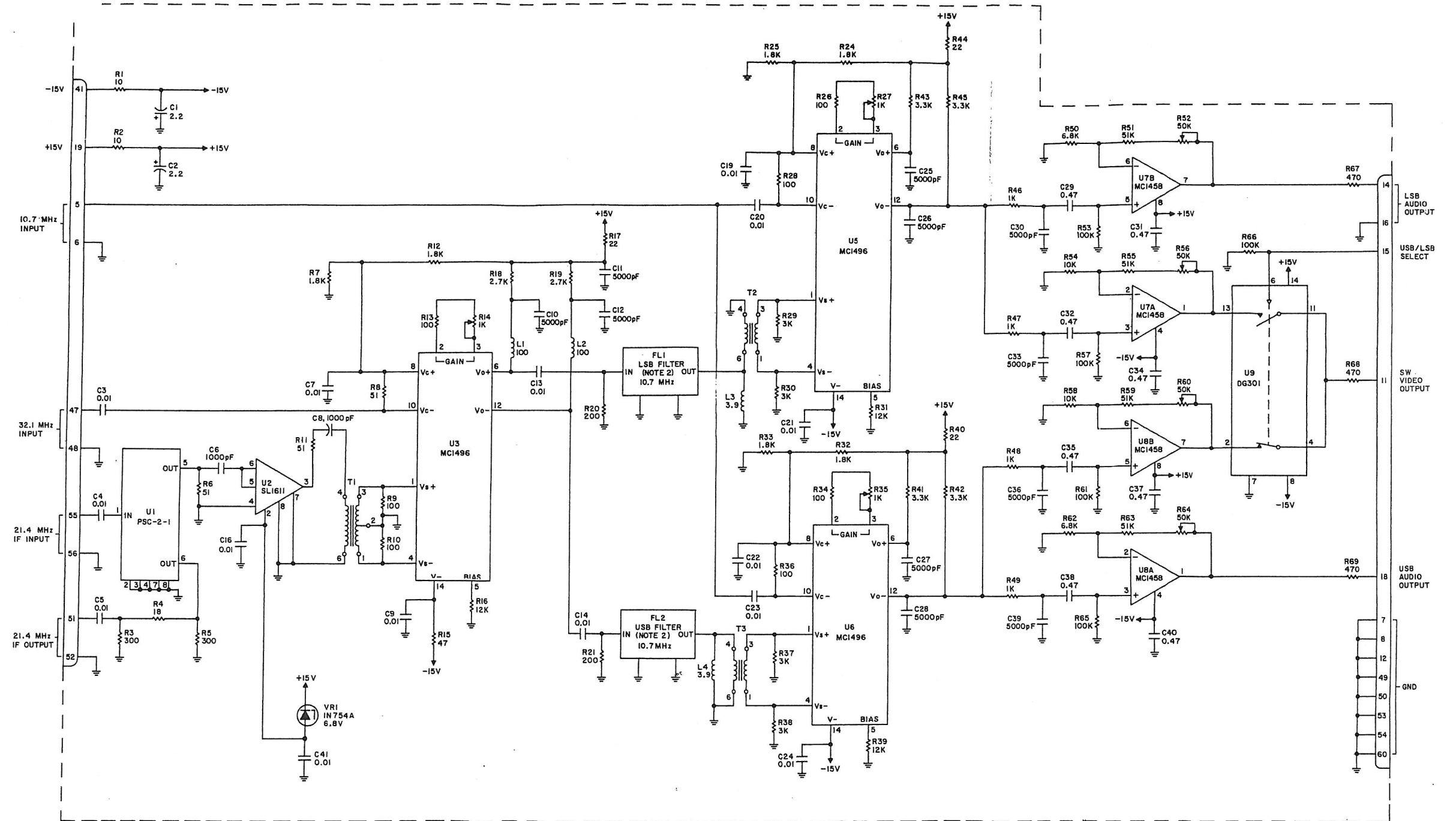


Figure P-3. Type 796304-1, ISB Demodulator Schematic Diagram 580203 (F) P-13