

- NOTES:  
 1. UNLESS OTHERWISE SPECIFIED:  
 a) CAPACITANCE IS  $\mu$ F.  
 2.  INDICATES KEYBOARD FUNCTION.

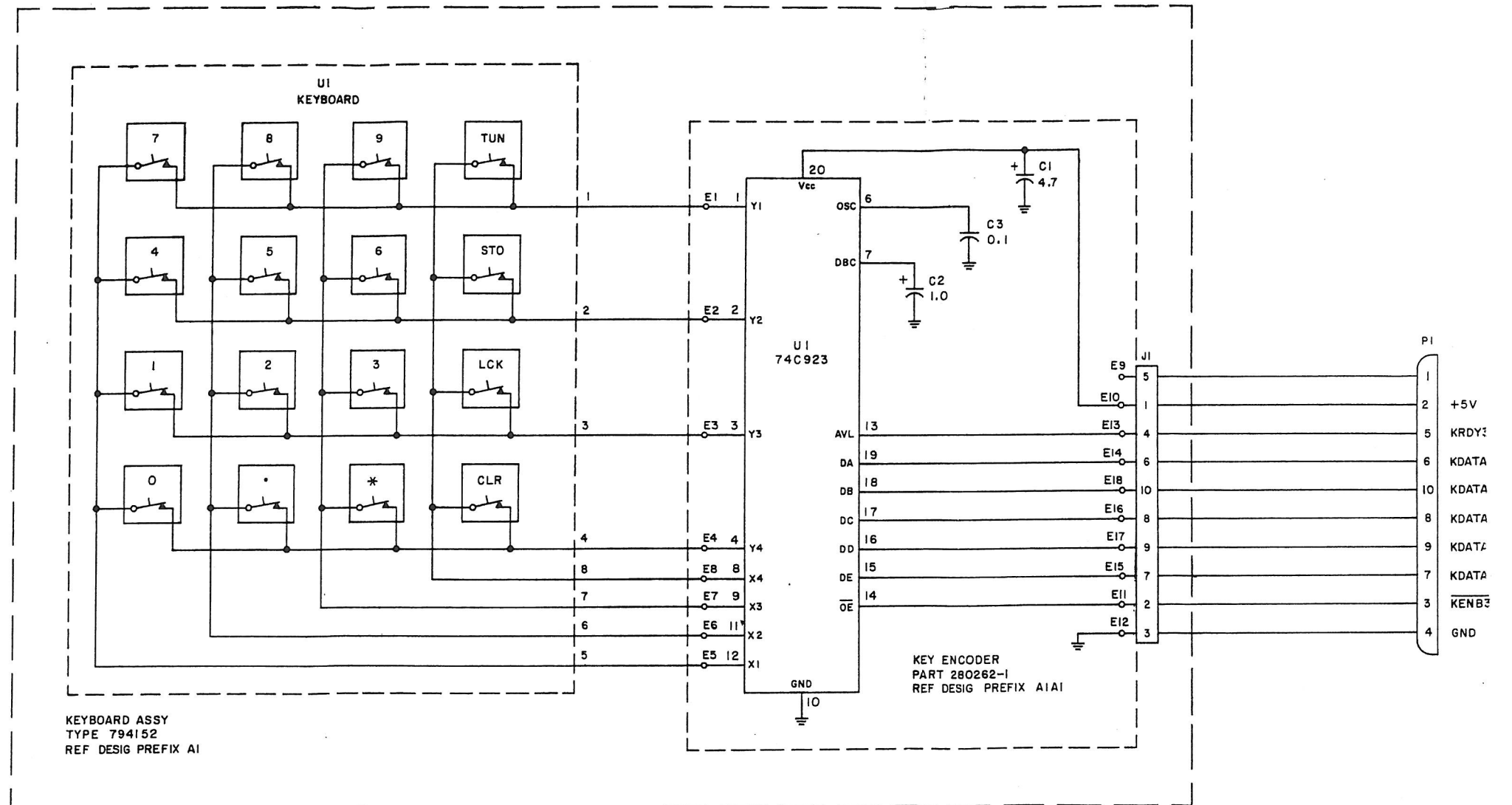


Figure Q-2. Type 796203-1, Pluggable Keyboard Control Schematic Diagram 480273 (A)